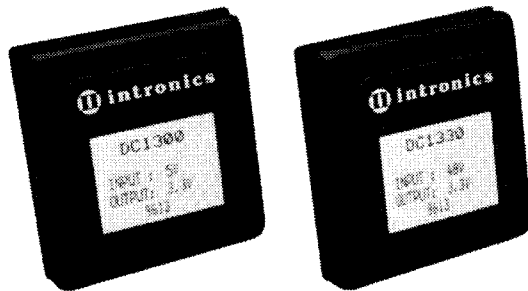


Intronics

DC1300 Series 10 Watt, 3.3V Output DC-DC Converters



Features

- Full 2:1 input range
- Low profile 0.4" high
- Short Ckt & Overvoltage protected
- Fully regulated
- Low output ripple & noise
- High reliability
- Input/output isolation

Input / Output Specifications

- Input filter: Pi Network
- Logic Input Reference: to minus input
- Logic compatibility: TTL or CMOS
- Remote ON/OFF
- Output voltage accuracy: $V_1: \pm 3\%$
- Line regulation(at Full Load): $\pm .5\%$ max.
- Load regulation (1/2 to Full): $\pm 1\%$ max.
- Temp. coef.: $\pm .02\%/degree\ C$
- Trans. Recovery: 200 μ s max. to 1% final value
- Ripple & noise (20Mhz BW): 50mV
- Short circuit protection: foldback

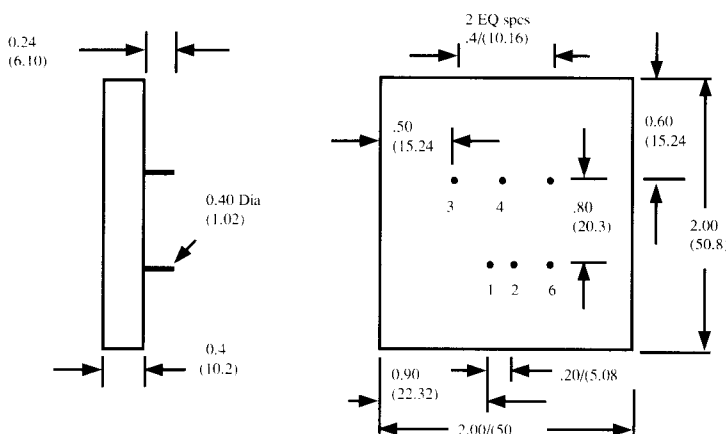
General Specifications

- Efficiency: up to 81%
- Isolation voltage: 500 Vdc
- Isolation Resistance: 1000 M Ω
- Operating temp.: -25 to +71 °C
- Storage temp.: -55 to +125 °C
- EMI/RFI: Six-sided continuous metal shielding
- Case Material: Black coated Cu w/ non-conductive bottom
- Size: 2" x 2" x .4"

External Output Trimming

Output may optionally be externally trimmed ($\pm 5\%$) with a fixed resistor or a trimpot.

Model Number	Input Voltage (Vdc)	Output Voltage (Vdc)	Output Current (mA)	Input Current	
				No Load	Full Load
DC1300	4.5-6	3.3	3000	10	2470
DC1310	9-18	3.3	3000	10	1030
DC1320	18-36	3.3	3000	10	500
DC1330	36-72	3.3	3000	10	245



PIN	Function	
1	+ Vin (input)	+ Vin (input)
2	- Vin (input)	- Vin (input)
3	+Vout (output)	+ Vout (output)
4	Trim	Common
5	- Vout (output)	- Vout (output)
6	Remote ON/OFF	

Due to ongoing product improvement, specifications are subject to change.

For more Information call 1-800-367-0004